



Instaltest XB

Item number: 626000869



Combination installation tester

The Instaltest XB is a handy and compact combination installation tester according to NEN 1010, NEN 3140 and EN 61557. The tester has many features, such as testing EVSE charging stations (with optional EVSE adapter 626001098).

Using the rotary switch, the user can easily select a measurement, which is clearly displayed on the graphic display. A clear True/False indication clarifies the inspection result.

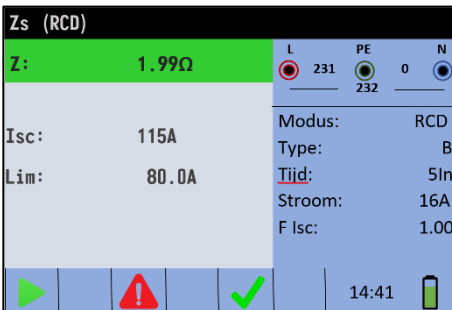
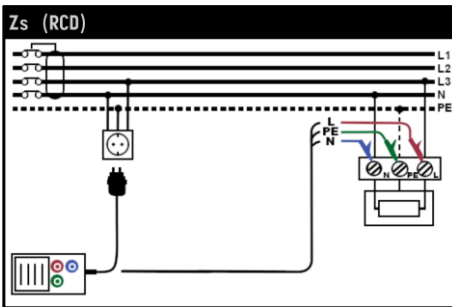
Measurements

- 6mA EVSE test
- Type B RCD
- Insulation resistance
- Continuity test
- Touch Voltage
- Trip time and Trip current of the RCD (Type A/AC/B)
- Automatic RCD Test
- Rotary field
- Line Impedance (Z-line)
- Loop Impedance (Z-loop)
- Earth impedance (Z-Loop /No Trip)
- Voltage

Specifications

Functions

Insulation resistance	50, 100, 250, 500 and 1000 V	0.00...999 MΩ
Continuity test	Test current 7mA/200 mA(LPE, NPE)	0.00...1999 Ω
RCD test	Nominal spanning Flow of Response Touch voltage Test current Response time Test current Type Power type	93...266 V / 45...65 Hz 6,10, 30, 100, 300, 500, 650,1000 mA 0.0... 99.9 V < 0.5 x IΔn 0...300 ms 0.5 x IΔn / 1x IΔn / 2x IΔn / 5x IΔn G, S AC/A/F/B
Impedance Testing	Zloop/Zline	0.00. 9.99 kΩ
Voltage		0...550 V
Frequency		10.0. 499.99 Hz
Rotating field		50...550 VAC



Optional EVSE Adapter LPA 2
PN: 626001098

General

Overvoltage Category	CAT III 600 V
Protection class	IP40
Power supply	6xLR06 AA (rechargeable) batteries
Dimensions	230 x 115 x 103 mm
Weight	1.3 kg (excl. batteries)
Including	Carrying strap, carrying case, 230 V test lead, separate test lead, alligator clips, QuickStart manual, rechargeable batteries & charger.