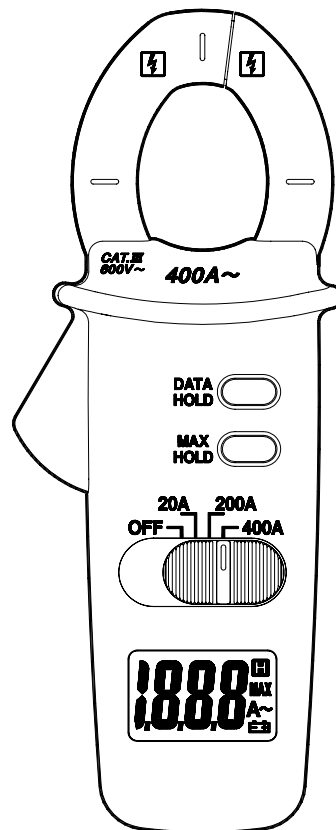


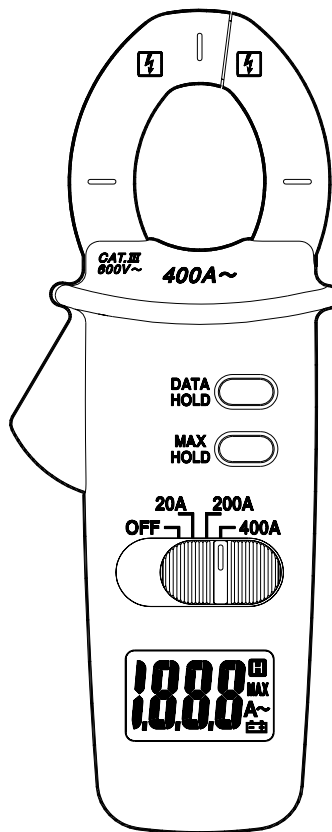


NI 02 Stroomtang Multimeter





NI 02 Clampmeter



Safety Information

To ensure safe operation and service of the Meter, follow these instructions. Failure to observe warnings can result in severe **injury** or **death**.

- Avoid working alone so assistance can be rendered.
- Do not use test leads or the Meter if they look damaged.
- Do not use the Meter if the Meter is not operating properly or if it is wet.
- Use the Meter only as specified in the Instruction manual or the protection by the Meter might be impaired.
- Use extreme caution when working around bare conductors or bus bar. Contact with the conductor could result in electric shock.

Symbols as marked on the Tester and Instruction manual

"	Risk of electric shock
#	See instruction manual
1	Equipment protected by double or reinforced insulation
<	Battery
)	Earth
6	Conforms to EU directives

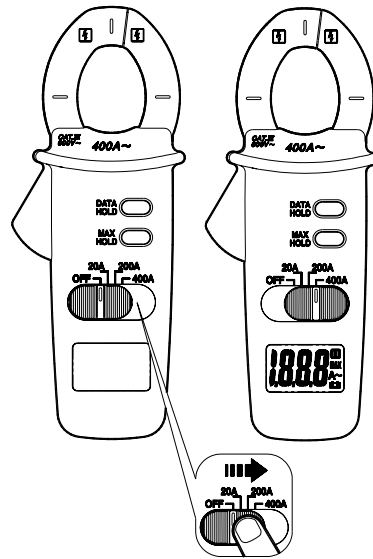
Maintenance

Do not attempt to repair this Clamp Meter. It contains no user-serviceable parts. Repair or serving should only be performed by qualified personal.

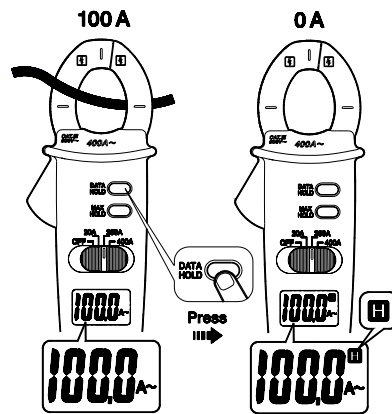
Cleaning

Periodically wipe the case with a dry cloth and detergent do not use abrasives or solvents.

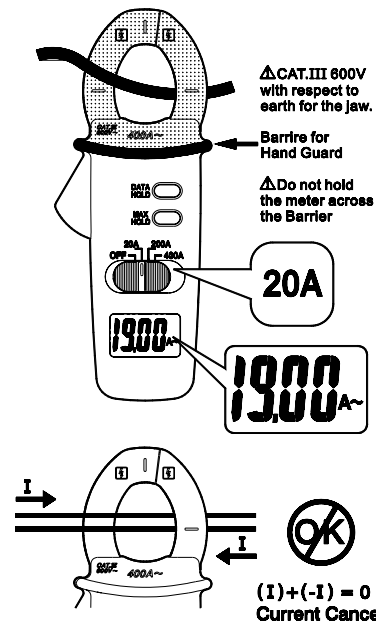
Power On / Off



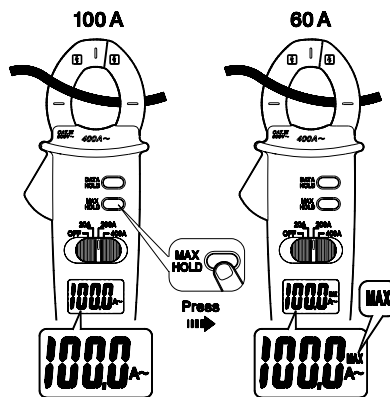
Data Hold



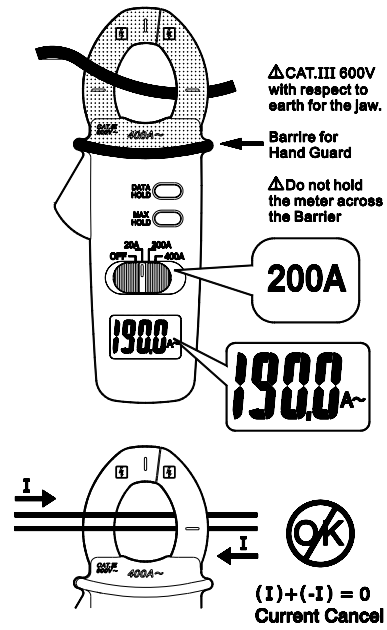
ACA 20A



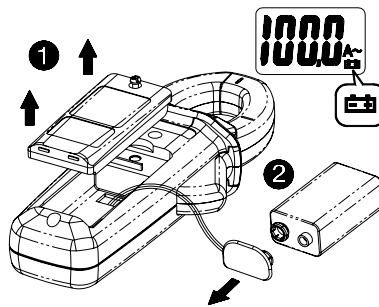
MAX Hold



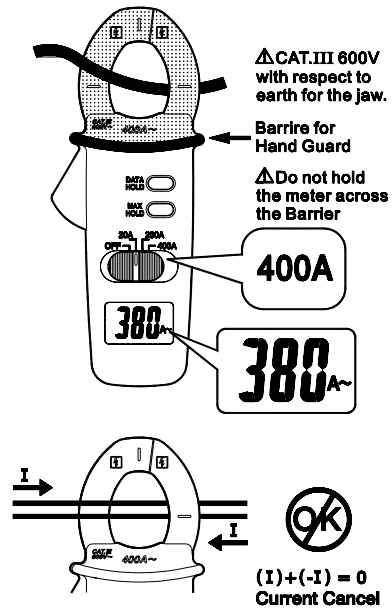
ACA 200A



Battery Replacement



AC A 400A



Specifications

1-1 General Specifications

LCD display digits :

2000 digit large scale LCD readout.

Measuring rate : 2.5 times / sec.

Overrange display :

“OL” is displayed for “20A” and “200A” range, shows the real value when bigger than “400A” range.

Low battery indicator :

< is displayed. Replace the battery when the indicator < appears in the display.

Power requirement : 9V battery.

Battery type and life :

ALKALINE PP3, 9V 580 hours.

1-2 Environmental Conditions

Indoor Use.

Calibration : One year calibration cycle.

Operating temperature :

0°C ~ 30°C (≦80% RH)

30°C ~ 40°C (≦75% RH)

40°C ~ 50°C (≦45%RH)

Storage temperature :

-20 to +60°C, 0 to 80% RH (batteries not fitted).

Operating altitude : 2000m (6562 ft)

Overvoltage category :

IEC 61010-1 600V CAT.III,

CAT.III equipment is designed to protect against the transients in the equipment in fixed installations, such as distribution panels, feeders and short branch circuits and lighting systems in large buildings.

Conductor Size : 27mm diameter.

Pollution degree : 2

EMC : EN 61326-1

Shock vibration : Sinusoidal vibration per MIL-T- 28800E (5 ~ 55 Hz, 3g maximum).

Dimensions (W x H x D) :

56mm x 180mm x 32mm

Weight : 250g including battery.

Accessories : Battery (installed), Carrying case and User manual.

1-3 Electrical Specifications

Accuracy is \pm (% reading + number of digits) at 23°C \pm 5°C < 80%RH.

Temperature coefficient :

0.2 x (Specified accuracy) / °C, < 18°C, >

AC Current

Function	Range	Accuracy
A% (50~60Hz)	0 ~19.99A	\pm (3.0% + 0.05 A)
	20.00~199.9A	\pm (2.0% + 0.5 A)
	200~400A	\pm (2.0% + 5 A)

Limited Warranty

This Meter is warranted to the original purchaser against defects in material and workmanship for 12 months from the date of production. During this warranty period, manufacturer will, at its option, replace or repair the defective unit, subject to verification of the defect or malfunction.

This warranty does not cover disposable batteries, or damage from abuse, neglect, accident, unauthorized repair, alteration, contamination, or abnormal conditions of operation or handling.

Any implied warranties arising out of the sale of this product, including but not limited to implied warranties of merchantability and fitness for a particular purpose, are limited to the above. The manufacturer shall not be liable for loss of use of the instrument or other incidental or consequential damages, expenses, or economic loss, or for any claim or claims for such damage, expense or economic loss. Some states or countries laws vary, so the above limitations or exclusions may not apply to you.



Nieaf-Smitt B.V.
Vrieslantlaan 6, 3526 AA, Utrecht
P.O. Box 7023, 3502 KA, Utrecht,
The Netherlands
Tel.: +31 (0) 30 288 13 11
Fax: +31 (0) 30 289 88 16
E-mail: sales@nieaf-smitt.nl
Internet:
<http://www.nieaf-smitt.nl>
<http://www.nieaf-instruments.com>



NI 02 Stroomtang Multimeter

