

XT-35M-DCL1 - Digital programmable relay with twilight sensor

Manual



Mors Smitt B.V.
Utrecht

© Copyright 2013

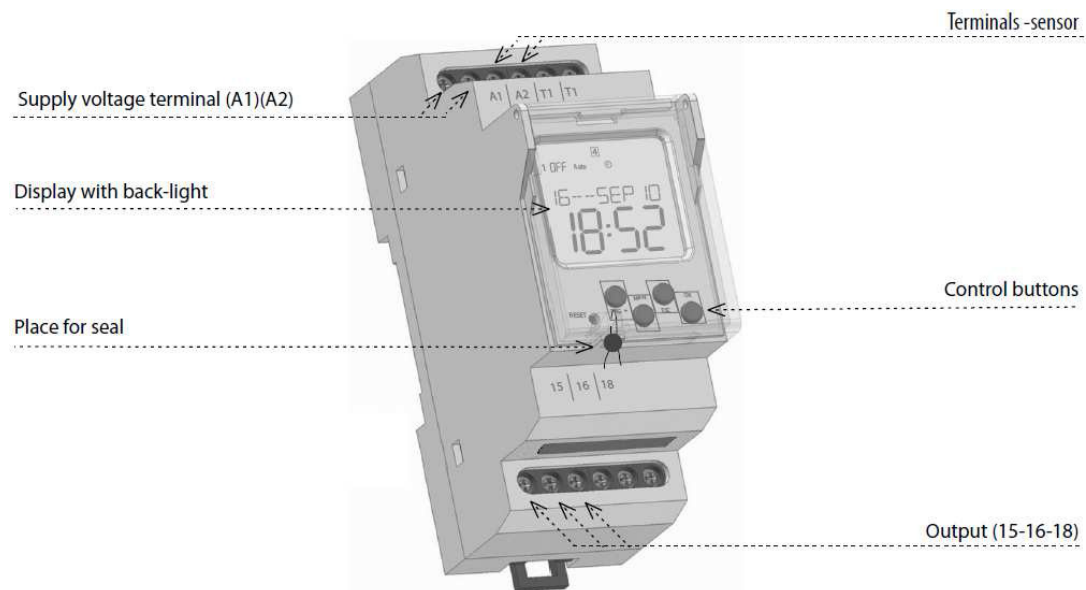
All rights reserved. Nothing from this edition may be multiplied, or made public in any form or manner, either electronically, mechanically, by photocopying, recording, or in any manner, without prior written consent from Mors Smitt B.V.

Mors Smitt B.V. reserves the right to change parts at any given moment, without prior or direct notification to the client. The contents of this user manual may also be changed without prior warning.

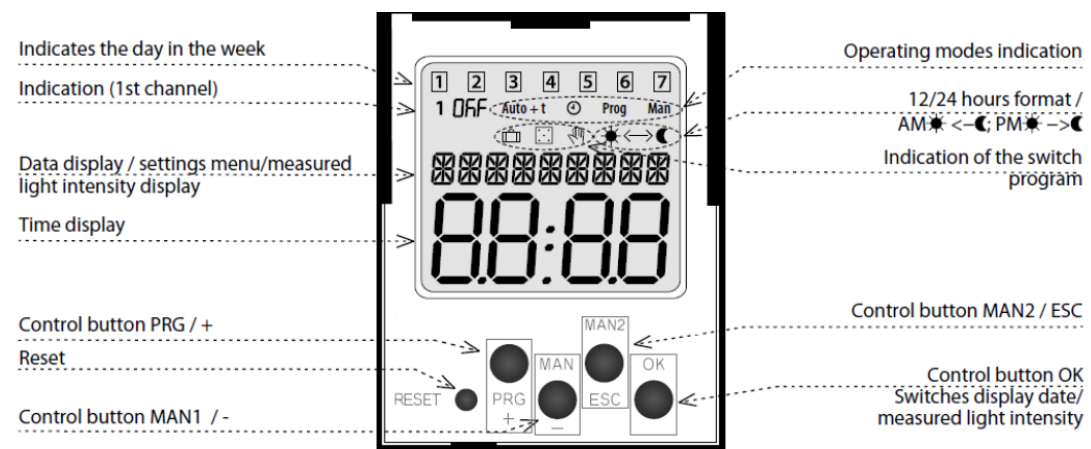
No part of this publication may be seen as part of a contract for the equipment, unless specifically referenced and included in such contract.

This user manual is compiled with all possible care, but Mors Smitt B.V. cannot accept any responsibility for possible errors in this user manual or any consequences resulting from that.

Description



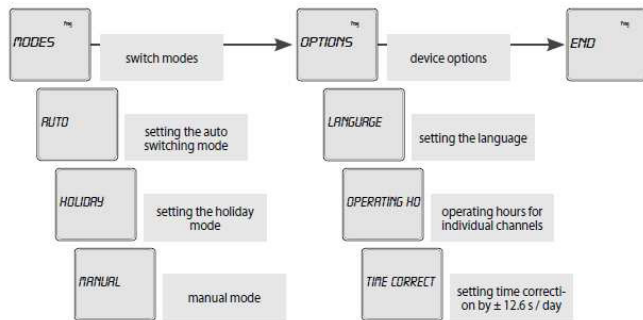
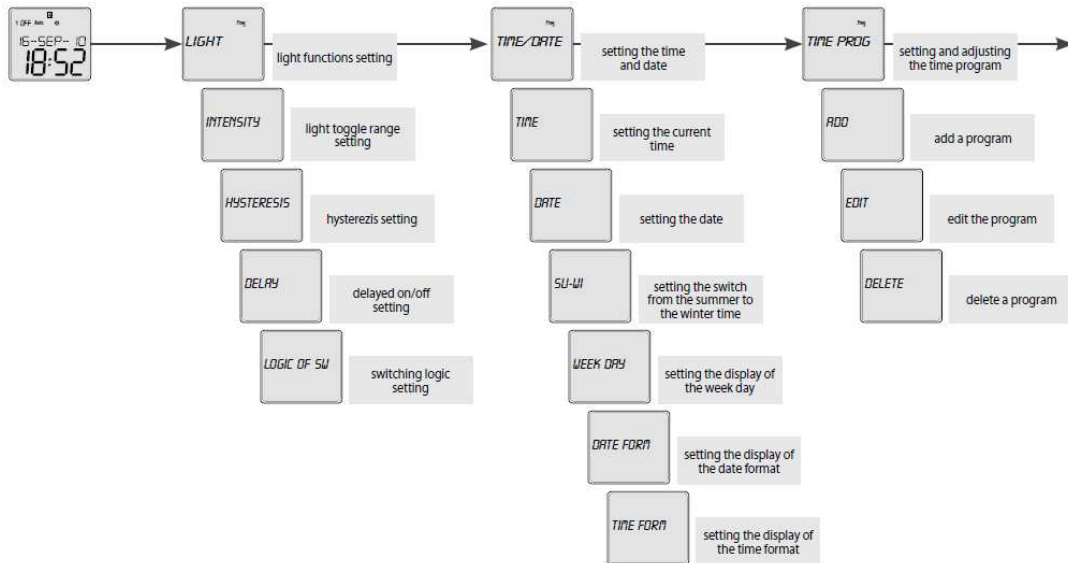
Display



Mode precedence

mode precedence	display	output mode
mode with the highest priority >>>	ON / OFF	manual control
>>	ON / OFF	holiday mode
>	ON / OFF	time program Prog
	LIGHT	light

Menu overview



Device differs short and long button press. In the manual marked as:

○ - short button press (<1s)

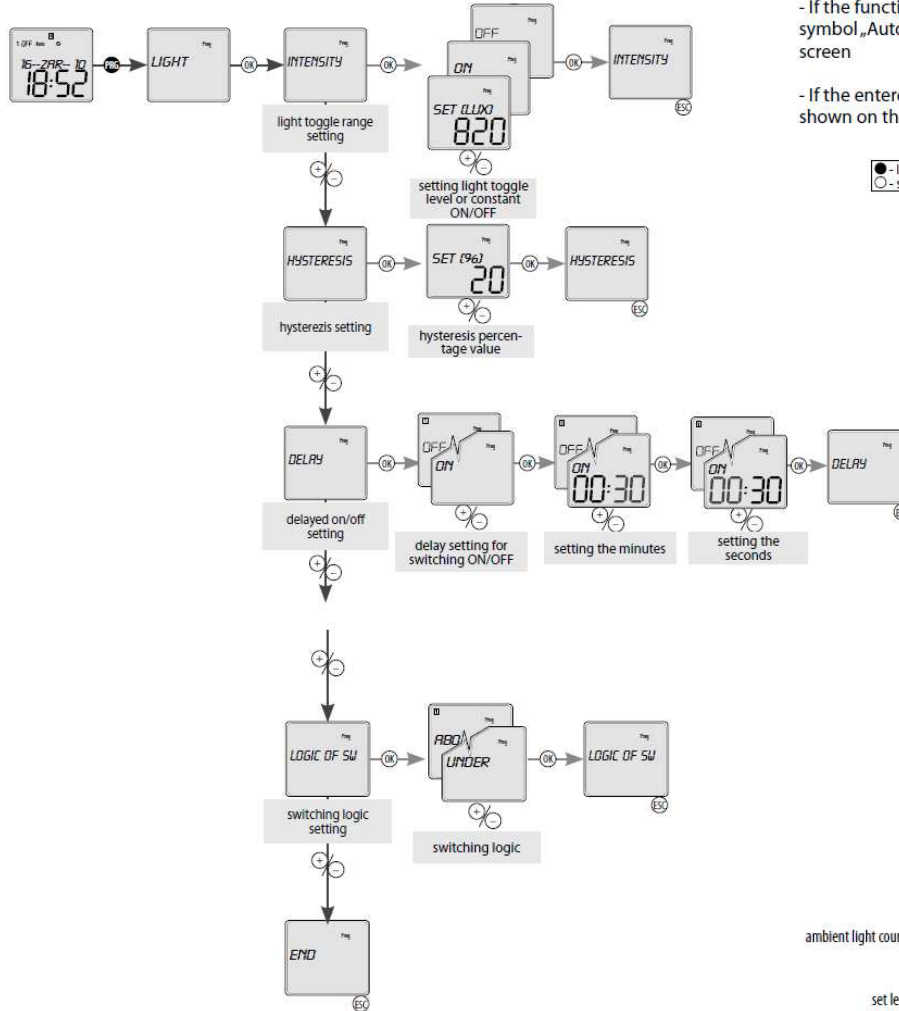
● - long button press (>1s)

After 30s of inactivity (from the last press of any button) will device automatically returns into starting menu.

In the start screen, press to toggle between displaying the date or light intensity. The measured value after exceeding 999 is measured in the hundreds of thousands by displaying the letter „k“ at the end. A comma separates the thousands line.

		- entrance into programming menu
		- browsing in menu
		- setting of values
		- quick shifting during setting of values
		- entrance into required menu
		- confirmation
		- switch. between display
		- one level up
		- a step back
		- back to the starting menu

Light functions setting



- If the function *LIGHT* is active, then symbol „Auto“ is displayed on the screen

- If the entered switching delay is shown on the display „Auto + t“

● - long press (>1s)
○ - short press (<1s)

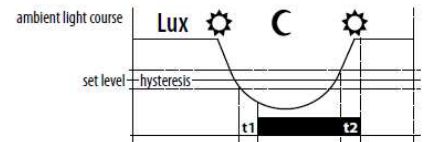
SWITCHING LOGIC

ABOVE

- when exceeding the toggle range, the light intensity relay switches on

UNDER

- when exceeding the toggle range, the light intensity relay switches off...



t1 - delay time when switching on
t2 - delay time when switching off

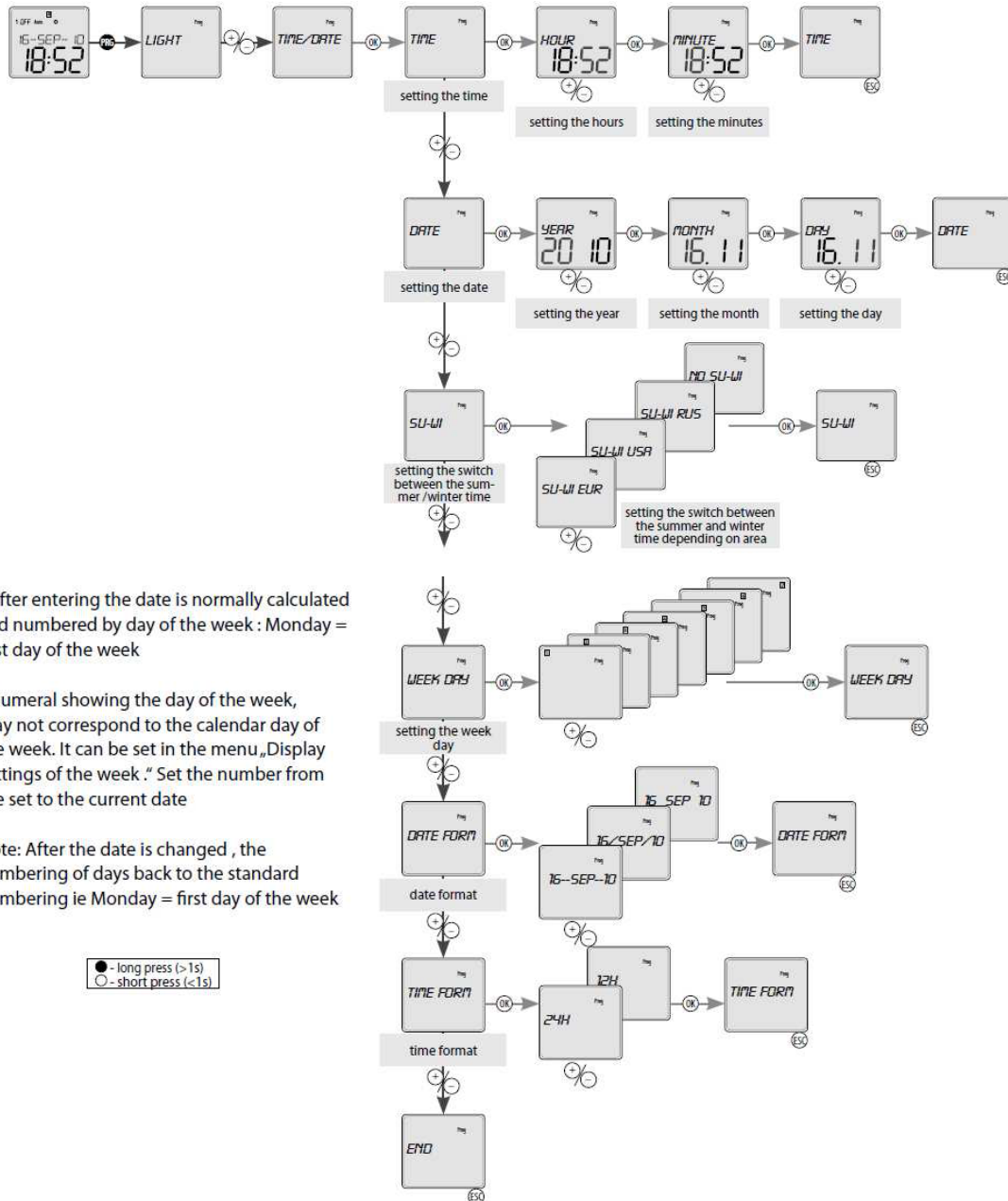
● - long press (>1s)
○ - short press (<1s)

Setting value in lux:



The value may be entered in a range of 1 to 50,000 lux. After exceeding a value of 9,800 lux, a period separates the thousands line.

Date and time setting

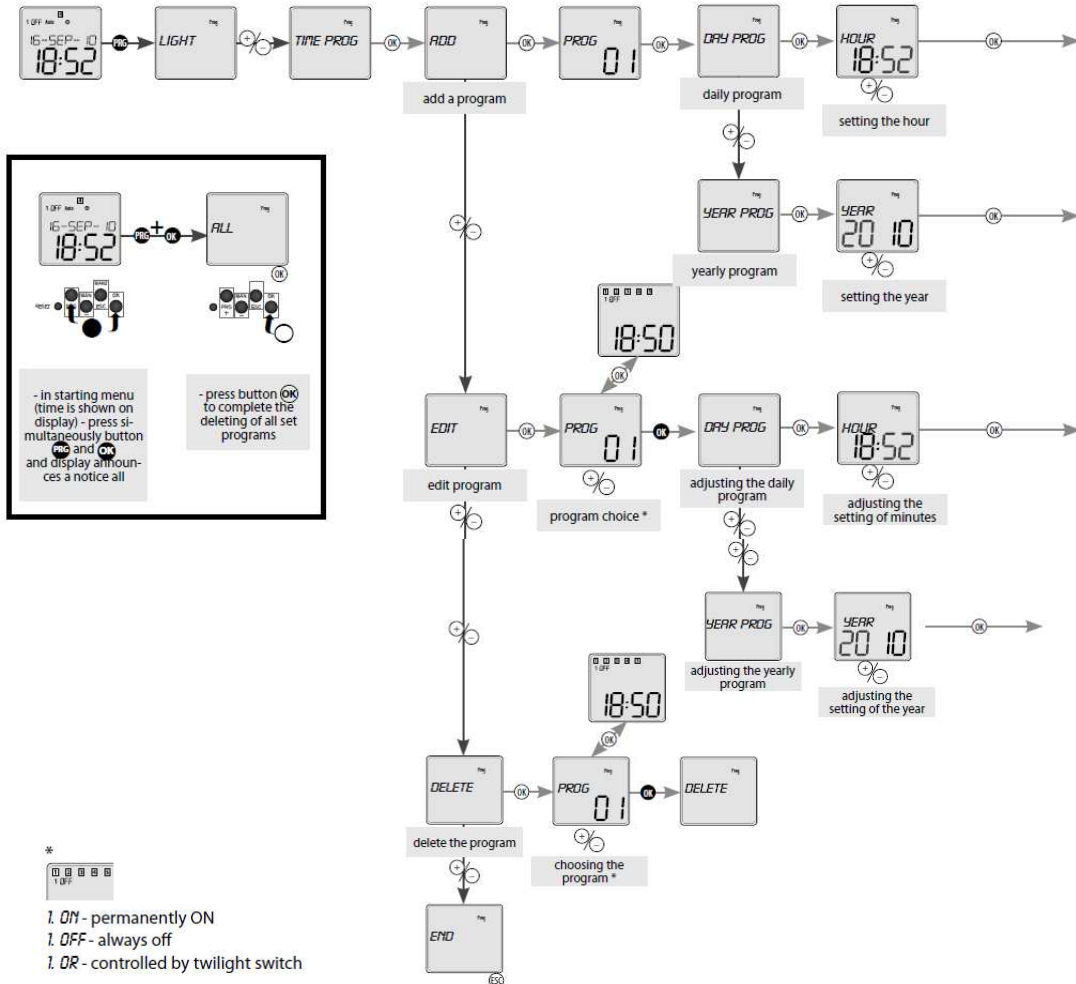


- After entering the date is normally calculated and numbered by day of the week : Monday = first day of the week

- Numeral showing the day of the week, may not correspond to the calendar day of the week. It can be set in the menu „Display settings of the week.“ Set the number from the set to the current date

Note: After the date is changed , the numbering of days back to the standard numbering ie Monday = first day of the week

Time program

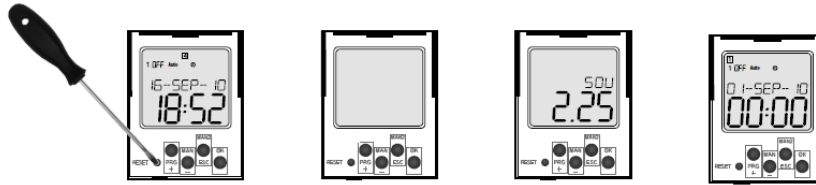


By shortly pressing **OK**, you can toggle between the program number and the display of its settings. Use **OK** to toggle preset programs. By holding **OK** you can proceed with the required step - CHANGE / DELETE. If you do not want to proceed, press **OK** to go to the main settings without any change.

If the program memory is full, you will see *FULL* on the display.

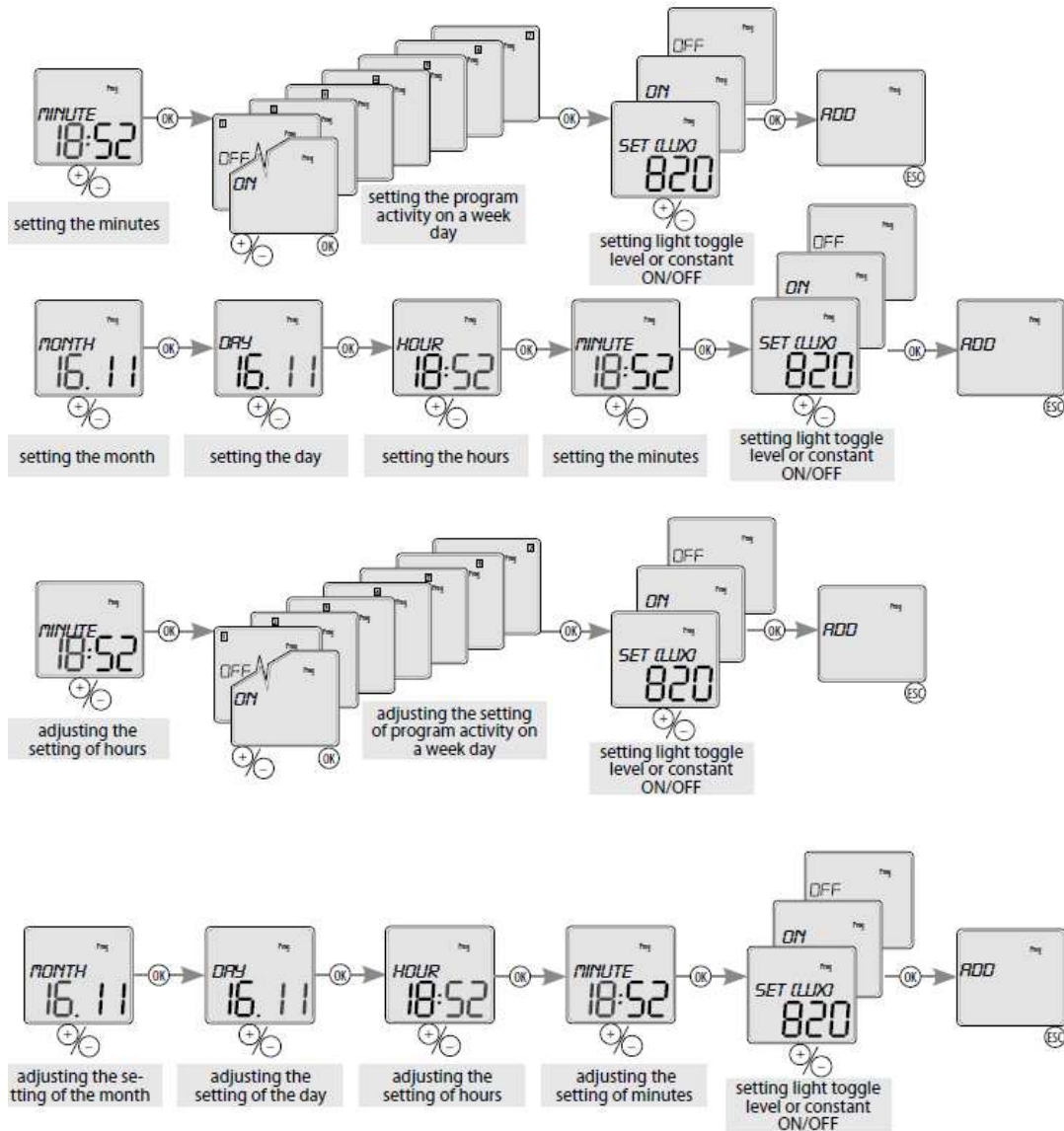
If the programs memory is empty and you want to change or erase a program, the display will read *EMPTY*

Reset

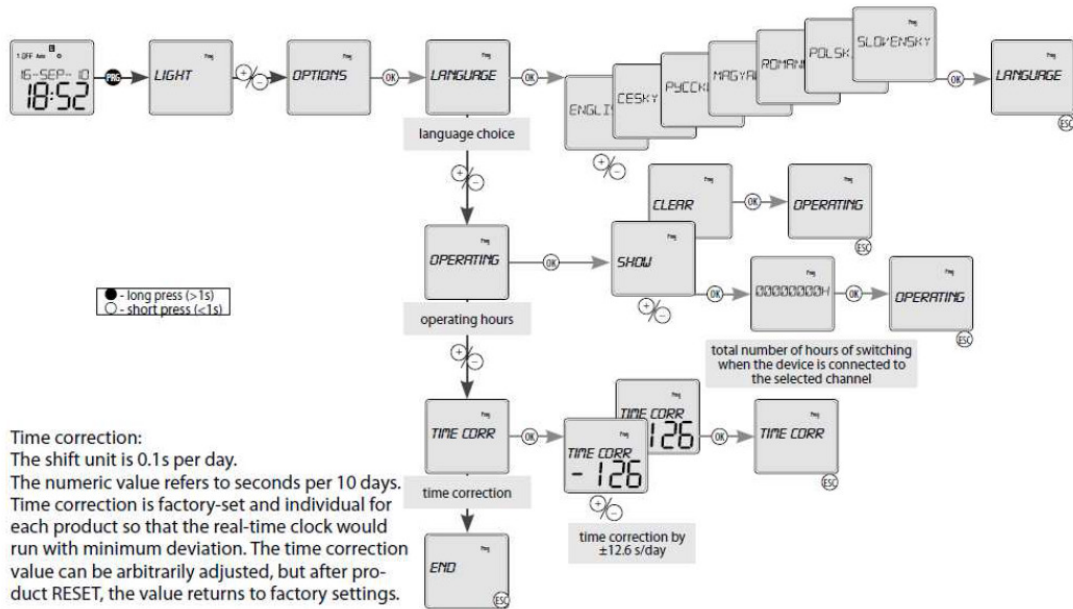


Performed by shortly pressing the hidden RESET button with a blunt-pointed object (e.g. a pencil or screw-driver with a diameter of at most 2 mm).

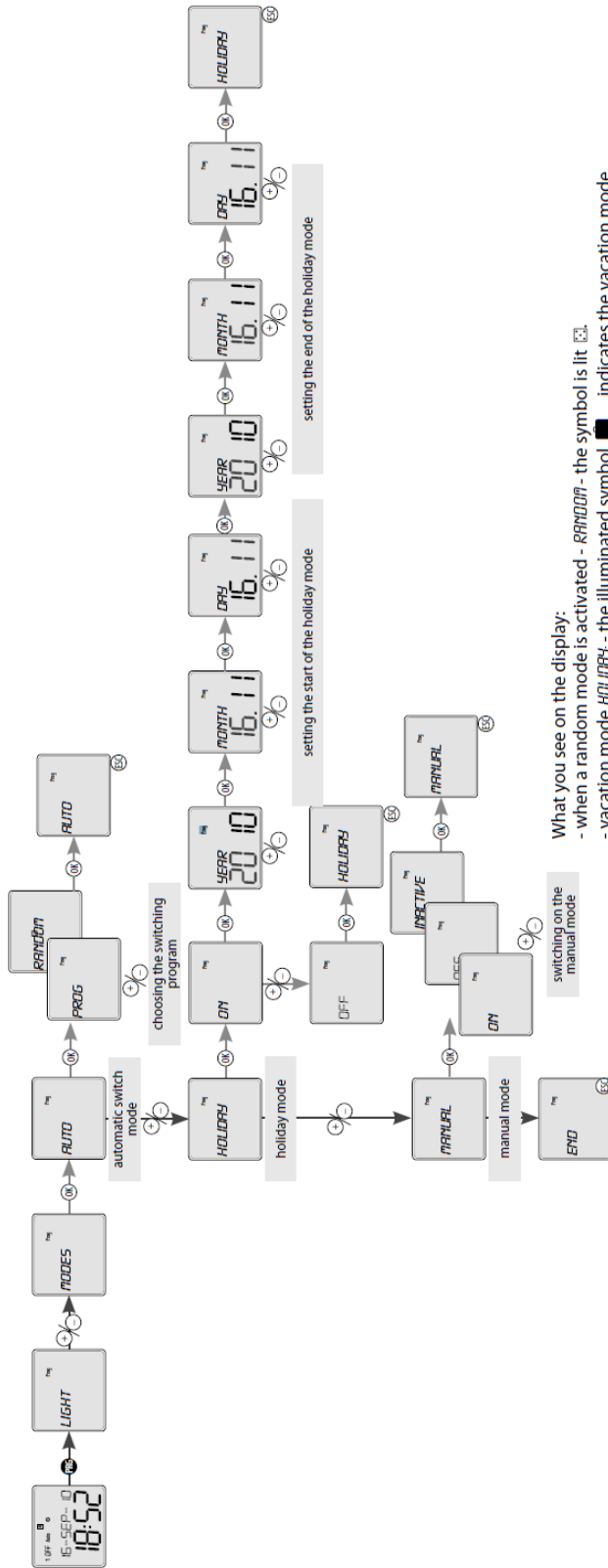
The type of device and software version will be displayed for 1 second, then the device will enter default mode. This means that the language is set to EN, all data is zeroed (light function, time/date, user programs, device options function).



Setting options



Setting switching modes



What you see on the display:

- when a random mode is activated - **RANDOM** - the symbol is lit.
- when a vacation mode is activated - the illuminated symbol **■** indicates the vacation mode.
- vacation mode **HOLIDAY** - the flashing symbol **■** indicates the vacation mode.
- the flashing symbol **■** is not illuminated if the vacation mode is not set or has
- when the manual mode is activated, the symbol is lit **■** and the manually controlled channel is flashing.



Mors Smitt B.V.

Vrieslantlaan 6
3526 AA Utrecht

Postbus 7023
3502 KA Utrecht
The Netherlands

T +31 (0)30 288 13 11
F +31 (0)30 289 88 16
E sales.msbv@nwabtec.com
I www.morssmitt.com

Edition 001

Art.no. 562001028

MAN-XT-35M-DCL1 V1.0

Date 11-06-2013